

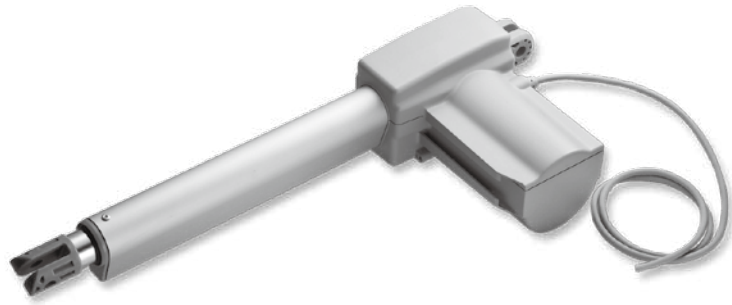
# Linear Actuator

LAN Series

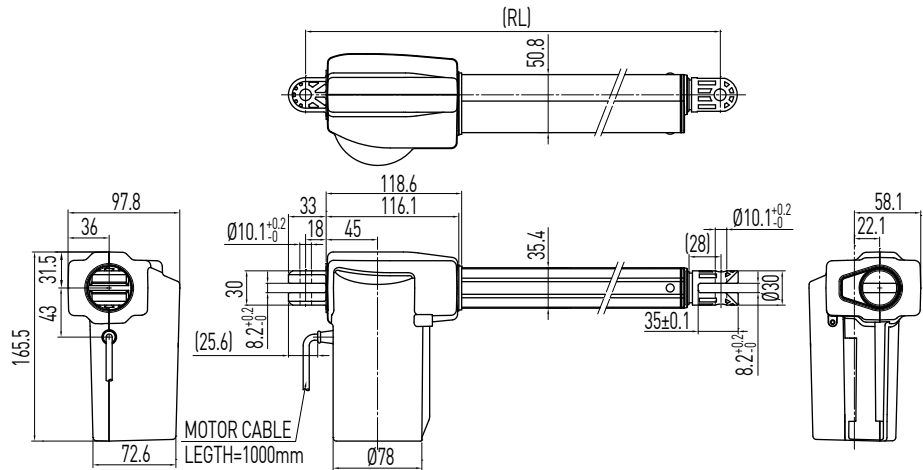
www.antrieb.ru

## 19. HIWIN LAN Series (5)

LAN5



- RL = S+163
- Stroke ≤ 300
- RL = S+213
- Stroke > 300
- RL: Retracted length
- S: Stroke length



### QUICK RELEASE

#### Quick release function:

- (1) The quick release cable can be pulled while the load on actuator under 100N.
- (2) When the quick release is activated, the actuator must have a load over 700N to ensure the actuator runs inwards.
- (3) After quick release activated, it may be necessary to run the actuator inwards.

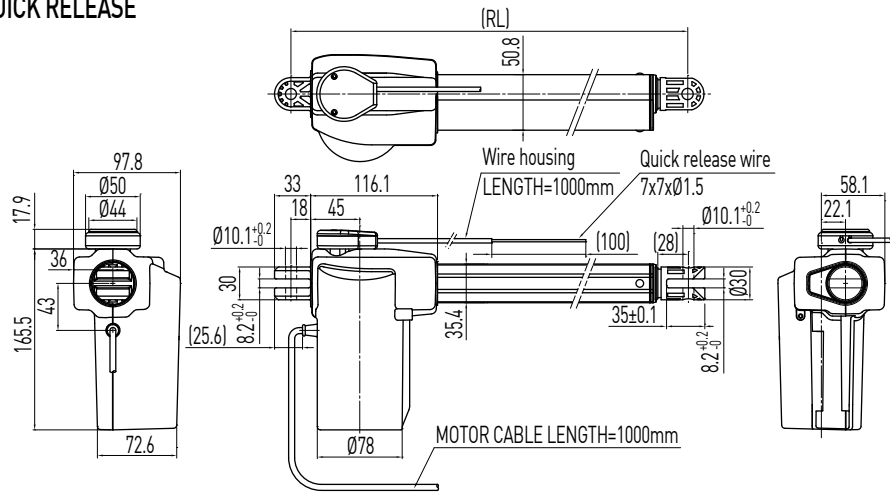


Table 19.1 Specifications

Screw type	ACME
Weight*	1.96kg
Protection	IP54
Compatible controller	Compatible with all kinds of controller (*Notice the type of connector: Audio/DIN 4PIN)
Working temp.	+5°C~40°C

\* Stroke length 200mm

#### Option:

- |                                   |  |   |
|-----------------------------------|--|---|
| (1) Hall Sensor                   | (4) Back fixture turned 0°, 45°, 90°, 135° | (7) Quick release (For LAN5-3, LAN5-4 only)       |
| (2) Safety nut                    | (5) IP65; IP66                             | (8) UL version                                    |
| (3) Mechanical Spline (push only) | (6) Back fixture and rodeye hole Ø12.1mm   | (9) Plug: DIN 4PIN plug / Stereo plug / Mono plug |

Table 19.2 Position feedback specifications (Hall Sensor)

Supply voltage	24VDC	12VDC	5VDC
Output	High level 24VDC Low level 0.2V / 10mA sink (NPN)	High level 12VDC Low level 0.2V / 10mA sink (NPN)	TTL

Table 19.3 LAN5 Specifications

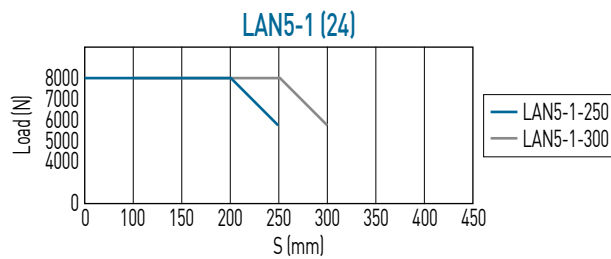
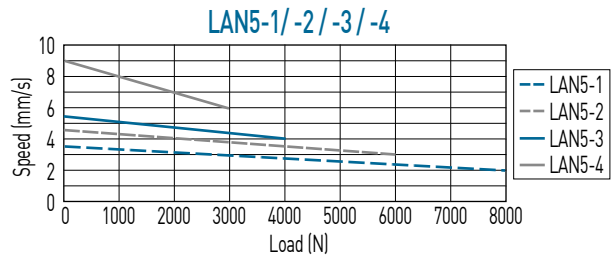
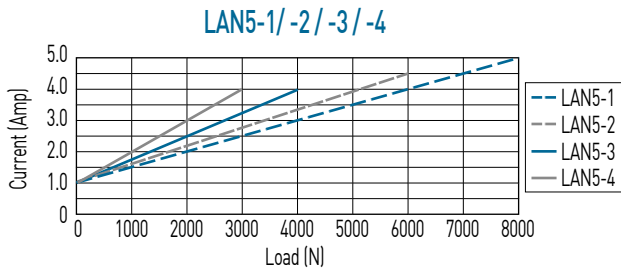
Model	Thrust max. (N)	Pulling max. (N)	Holding max. (N)	Speed (mm/s) Load = Max. / Load = 0	Standard stroke (mm) : S					Duty cycle %	Current max. (A) 24VDC	Hall Sensor Resolution (mm/pulse)
LAN5-1	8000	4000	6000	2 / 3.5	100	150	200	250	300	10	5	0.08
LAN5-2	6000	4000	5000	3 / 4.5	100	150	200	250	300	10	4.5	0.10
LAN5-3	4000	3000	4000	4 / 5.5	100	150	200	250	300	10	4	0.14
LAN5-4	3000	2000	1500	6 / 9	100	150	200	250	300	10	4	0.22

\* When the stroke of LAN5-1 is between 250mm and 300mm, refer to the diagram on the right for max. load.

\* LAN5-3 24V Quick release Holding max. 3000N

\* LAN5-4 24V Quick release Holding max. 1000N

\* Min. input power = Voltage x Current max.



\*\*Note: The test results are obtained by using the 24VDC power supply.

Table 19.4 LAN5(24Q) Specifications

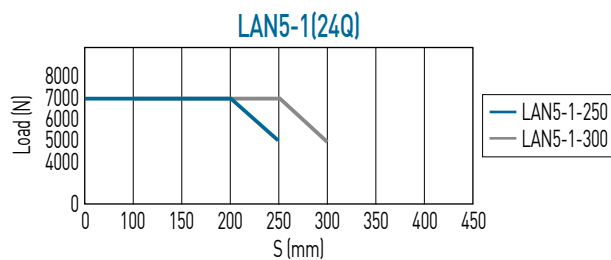
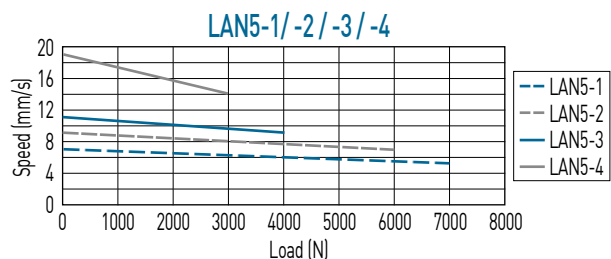
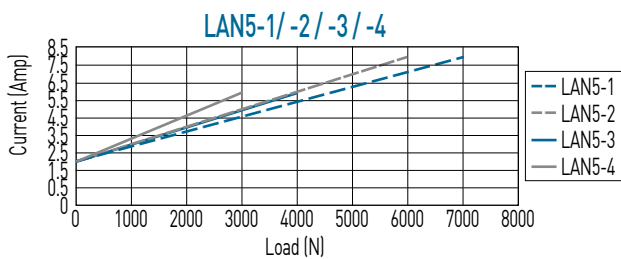
Model	Thrust max. (N)	Pulling max. (N)	Holding max. (N)	Speed (mm/s) Load = Max. / Load = 0	Standard stroke (mm) : S					Duty cycle %	Current max. (A) 24VDC	Hall Sensor Resolution (mm/pulse)
LAN5-1	7000	4000	6000	5 / 7	100	150	200	250	300	10	8	0.08
LAN5-2	6000	4000	5000	7 / 9	100	150	200	250	300	10	8	0.10
LAN5-3	4000	3000	4000	9 / 11	100	150	200	250	300	10	6	0.14
LAN5-4	3000	2000	1500	14 / 19	100	150	200	250	300	10	6	0.22

\* When the stroke of LAN5-1 is between 250mm and 300mm, refer to the diagram on the right for max. load.

\* LAN5-3 24Q Quick release Holding max. 3000N

\* LAN5-4 24Q Quick release Holding max. 1000N

\* Min. input power = Voltage x Current max.



## Ordering Information

LAN5 - 1 1 - 1 - 200 - 24 G E						
Model number	Thrust	1: Basic model complete with internal limit switches	Stroke length	Voltage	Color	Special models according to the customer's requirement (ignore this part of the serial number if not available)
	1: Standard 2: Suspending install, pull			24: Standard motor 24Q: Fast motor	B : Black G : Gray	